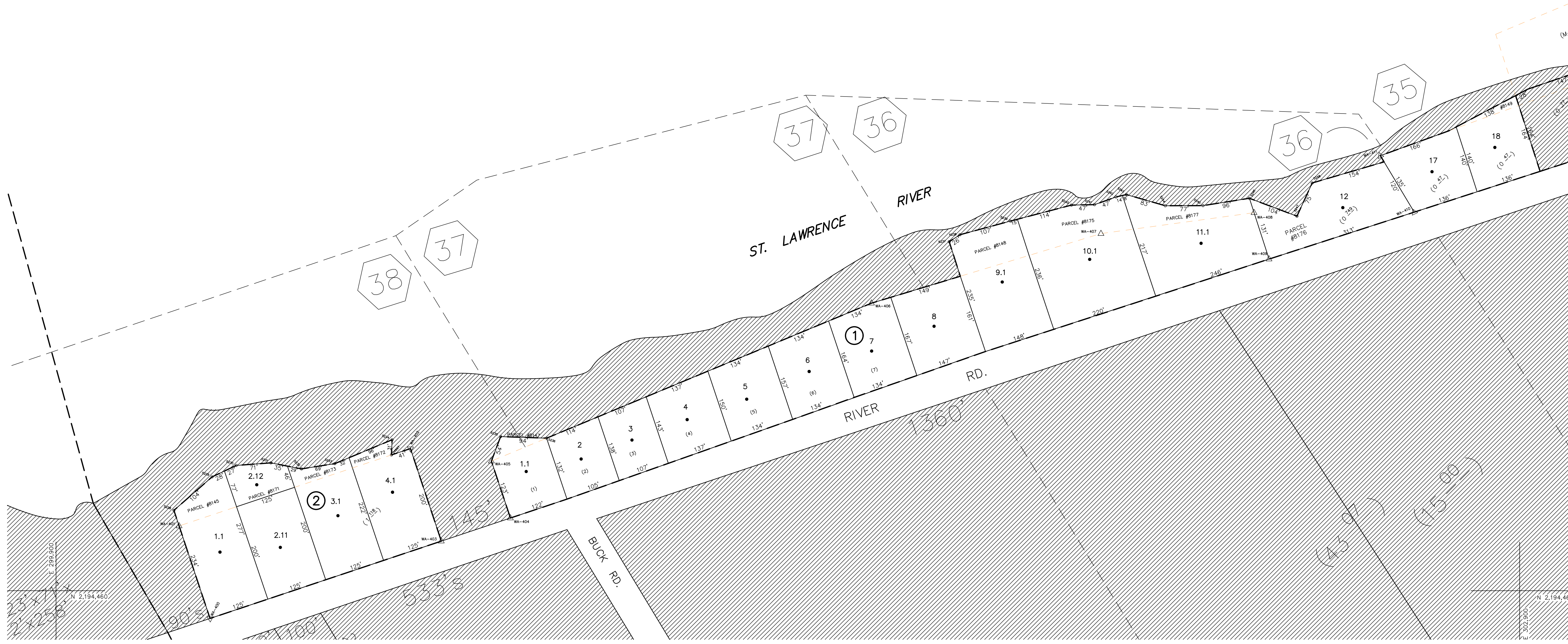
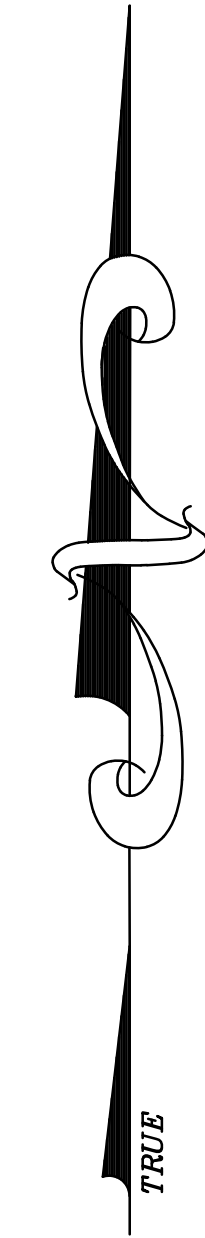


N 2,196,460
E 299,900

N 2,196,460
E 302,900



UNLESS DRAWN OTHERWISE, ALL PROPERTIES ARE WITHIN THE FOLLOWING DISTRICTS :

SCHOOL	403401	WATER	
FIRE	10000	SEWER	
LIGHT	11012	AGRICULTURAL	

THIS MAP WAS PREPARED FOR TAX PURPOSES ONLY
NOT TO BE USED FOR CONVEYANCE

NOTICE OF DISCLAIMER

This map represents a compilation of graphical and textual information from deeds and surveys, a planimetric base map, and digital conversions of hand drawn mylar maps. Errors and omissions can occur from each of these sources; each source represents a large number of records and originators of information. As a practical matter, the County does not warrant the accuracy or completeness of the information portrayed. The end user of these maps agrees to accept the data "as is" with the full knowledge that errors and omissions may exist, and to hold harmless the County for any damages that may result from an inappropriate use of these maps.

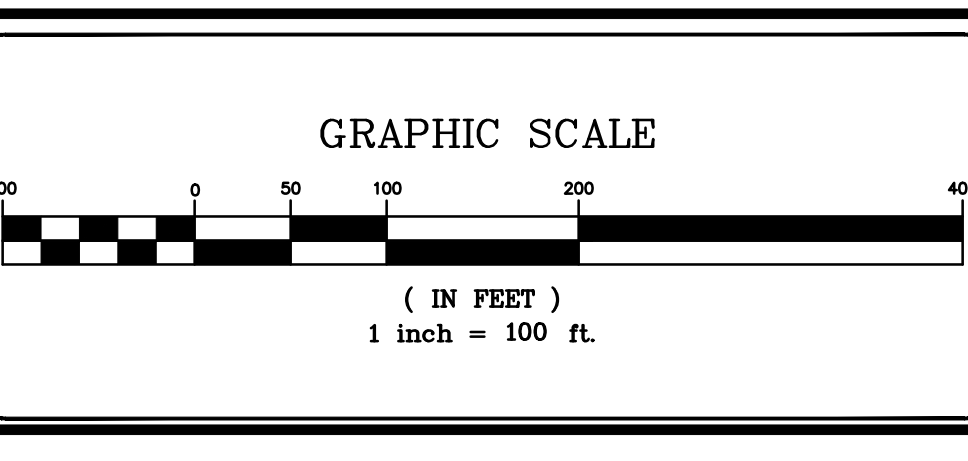
DRAWING LEGEND

International Boundary	— — — — —	Denotes Common Owner	①
County Boundary	— — — — —	Railroad	27
Town Boundary	— — — — —	Water	112'
Village Boundary	— — — — —	Block Limit Line	27' ±
Property or R/W Line	— — — — —	Special District Line	(27' ±)
		Subdivision Lot Line	148.24(c)

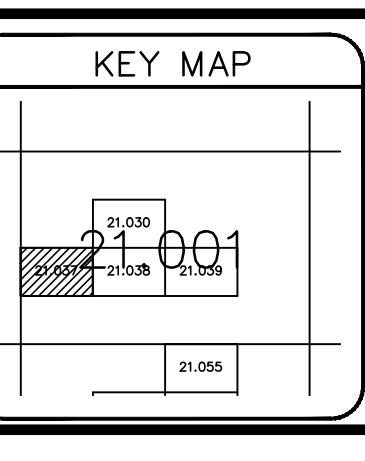
Block No. ①
Parcel No. 27
Subdivision Lot No. (10)
Deed Dimension 112'
Scaled Dimension 27' ±
Deed Area (27' ±)
Calculated Area 148.24(c)

ST. LAWRENCE COUNTY
NEW YORK
REAL PROPERTY

COUNTY OFFICE BUILDING
CANTON, NEW YORK 13617
(315) 379-2272 OFFICE
(315) 229-3222 FAX



7			
6			
5			
4			
3			
2			
1			
	REVISIONS	DATE	BY



TOWN OF: **WADDINGTON**
DISTRICT NO.: **408289**
Date of Conversion: 09/01/2007 LDC

SECTION NO.
21.037
PROPERTY MAP