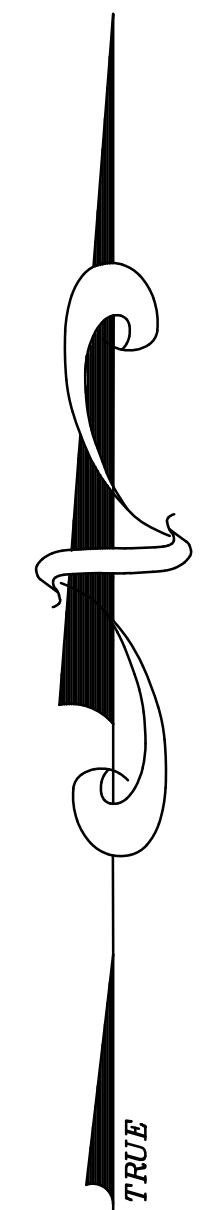
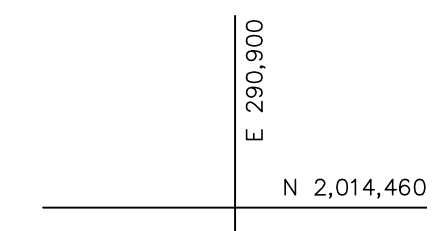
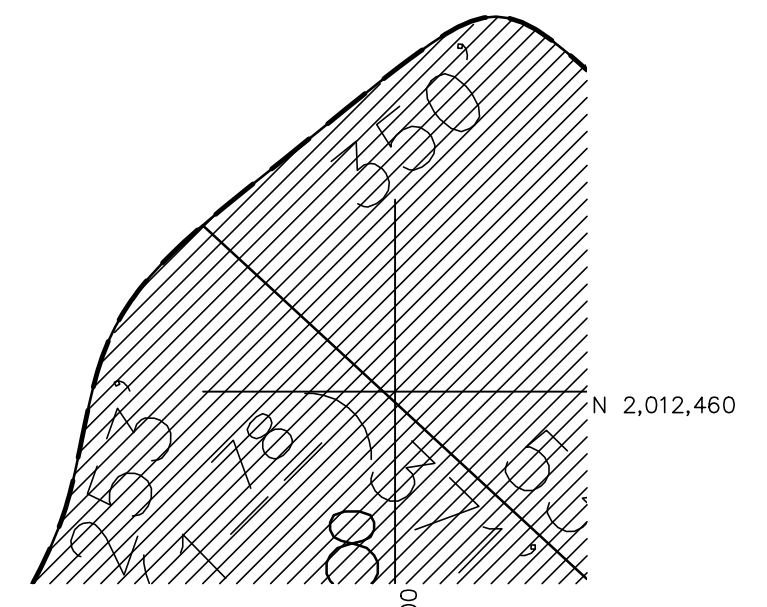


NEW YORK STATE  
REFORESTATION AREA 27  
PROPOSAL A  
PARCEL NO. 01110001

14.1  
891.57A(c)



TROUT



UNLESS DRAWN OTHERWISE, ALL PROPERTIES ARE WITHIN THE FOLLOWING DISTRICTS:  
SCHOOL 404400 WATER  
FIRE 70008 SEWER  
LIGHT 70008 AGRICULTURAL

THIS MAP WAS PREPARED FOR TAX PURPOSES ONLY  
NOT TO BE USED FOR CONVEYANCE

**NOTICE OF DISCLAIMER**  
This map represents a compilation of graphical and textual information from deeds and surveys, a planimetric base map, and digital conversions of hand drawn mylar maps. Errors and omissions can occur from each of these sources; each source represents a large number of records and originators of information. As a practical matter, the County does not warrant the accuracy or completeness of the information portrayed. The end user of these maps agrees to accept the data "as is" with the full knowledge that errors and omissions may exist, and to hold harmless the County for any damages that may result from an inappropriate use of these maps.

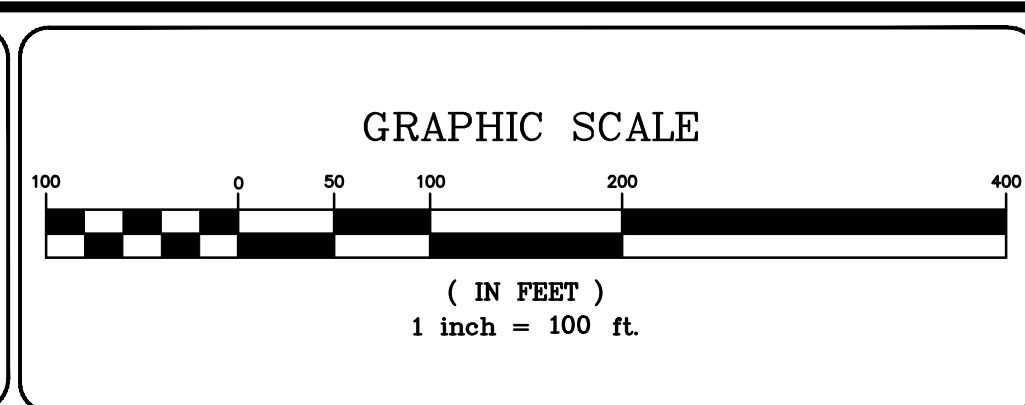
**DRAWING LEGEND**

International Boundary	— — — — —
County Boundary	- - - - -
Town Boundary	— · — · —
Village Boundary	— · — · — · —
Property or R/W Line	— — — — —

Denotes Common Owner	Z
Railroad	— + — + — + —
Water	~~~~~
Block Limit Line	— · — · —
Special District Line	— · — · — · —
Subdivision Lot Line	— · — · — · —

Block No.	①
Parcel No.	27
Subdivision Lot No.	112
Deed Dimension	27'±
Scaled Dimension	(27.3)±
Deed Area	
Calculated Area	148.2A(c)

**ST. LAWRENCE COUNTY**  
NEW YORK  
REAL PROPERTY  
COUNTY OFFICE BUILDING  
CANTON, NEW YORK 13617  
(315) 379-2272 OFFICE  
(315) 229-3222 FAX



7			
6			
5			
4			
3			
2			
1			
	REVISIONS	DATE	BY

**KEY MAP**

161.003	161.004
---------	---------

TOWN OF:	HERMON
DISTRICT NO.:	404400
Date of Conversion:	10/27/08 JIM

SECTION NO.	161.065
PROPERTY MAP	