

UNLESS DRAWN OTHERWISE, ALL PROPERTIES ARE WITHIN THE FOLLOWING DISTRICTS:

SCHOOL	404401	WATER	
FIRE	72018	SEWER	
LIGHT		AGRICULTURAL	

THIS MAP WAS PREPARED FOR TAX PURPOSES ONLY  
NOT TO BE USED FOR CONVEYANCE

**NOTICE OF DISCLAIMER**

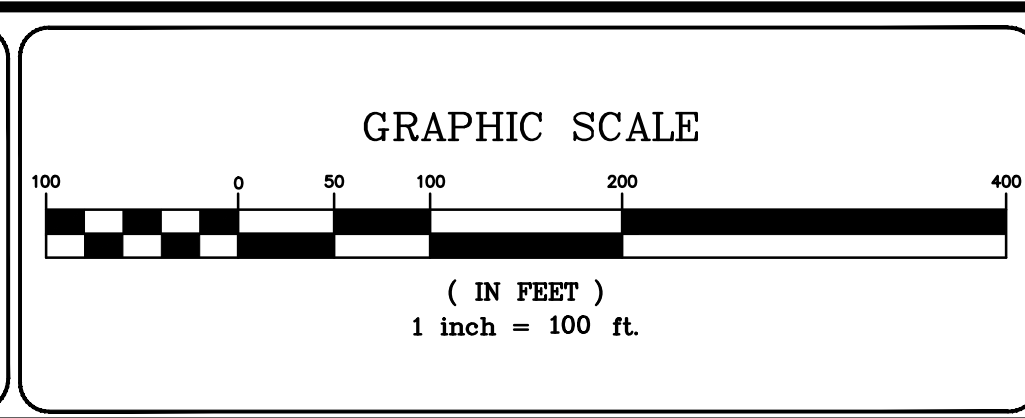
This map represents a compilation of graphical and textual information from deeds and surveys, a planimetric base map, and digital conversions of hand drawn mylar maps. Errors and omissions can occur from each of these sources; each source represents a large number of records and originators of information. As a practical matter, the County does not warrant the accuracy or completeness of the information portrayed. The end user of these maps agrees to accept the data "as is" with the full knowledge that errors and omissions may exist, and to hold harmless the County for any damages that may result from an inappropriate use of these maps.

**DRAWING LEGEND**

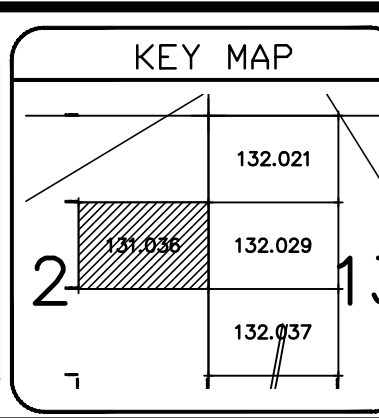
International Boundary	—————	Denotes Common Owner	Z
County Boundary	—————	Railroad	—————
Town Boundary	—————	Water	—————
Village Boundary	—————	Block Limit Line	—————
Property or R/W Line	—————	Iroquois Gas Line	—————
		Subdivision Lot Line	—————

Block No.	①
Parcel No.	27
Subdivision Lot No.	(10)
Deed Dimension	112'
Scaled Dimension	27'
Deed Area	(27.3 <sub>1</sub> )
Calculated Area	148.2A(c)

**ST. LAWRENCE COUNTY**  
NEW YORK  
REAL PROPERTY  
COUNTY OFFICE BUILDING  
CANTON, NEW YORK 13617  
(315) 379-2272 OFFICE  
(315) 229-3222 FAX



REVISIONS	DATE	BY
7		
6		
5		
4		
3		
2		
1		



TOWN OF: **HERMON**  
DISTRICT NO.: **404400**  
Date of Consolidation: 01/01/17 JIM

SECTION NO.  
**131.036**  
PROPERTY MAP