

UNLESS DRAWN OTHERWISE, ALL PROPERTIES ARE WITHIN THE FOLLOWING DISTRICTS :

SCHOOL	404201	WATER	
FIRE	75077	SEWER	
LIGHT		AGRICULTURAL	

THIS MAP WAS PREPARED FOR TAX PURPOSES ONLY
NOT TO BE USED FOR CONVEYANCE

NOTICE OF DISCLAIMER

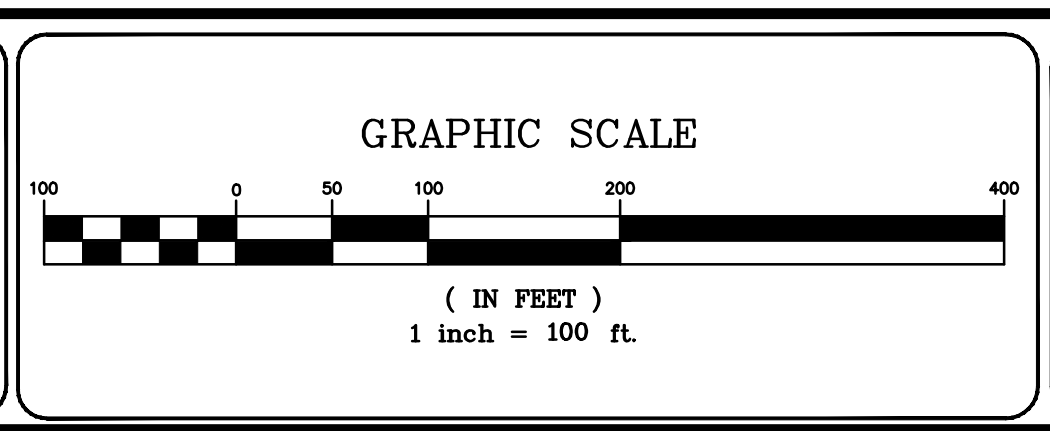
This map represents a compilation of graphical and textual information from deeds and surveys, a planimetric base map, and digital conversions of hand drawn mylar maps. Errors and omissions can occur from each of these sources; each source represents a large number of records and originators of information. As a practical matter, the County does not warrant the accuracy or completeness of the information portrayed. The end user of these maps agrees to accept the data "as is" with the full knowledge that errors and omissions may exist, and to hold harmless the County for any damages that may result from an inappropriate use of these maps.

DRAWING LEGEND

International Boundary	—————	Denotes Common Owner	①
County Boundary	—————	Railroad	27
Town Boundary	—————	Water	(10)
Village Boundary	—————	Block Limit Line	112'
Property or R/W Line	—————	Special District Line	27'
		Subdivision Lot Line	(27.5')
			148.2A(c)

Block No.	①
Parcel No.	27
Subdivision Lot No.	(10)
Deed Dimension	112'
Scaled Dimension	27'
Deed Area	(27.5')
Calculated Area	148.2A(c)

ST. LAWRENCE COUNTY
NEW YORK
REAL PROPERTY
COUNTY OFFICE BUILDING
CANTON, NEW YORK 13617
(315) 378-2272 OFFICE
(315) 229-3222 FAX



REVISIONS	DATE	BY
7		
6		
5		
4		
3		
2		
1		

KEY MAP

96.003	96.004
111.001	111.002

TOWN OF: **HAMMOND**
DISTRICT NO.: **404289**
Date of Conversion: 12/26/08 JIM

SECTION NO.
96.073
PROPERTY MAP