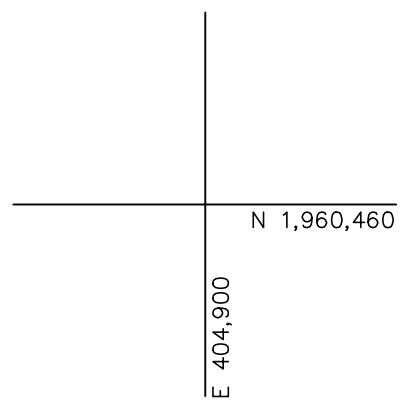


CRANBERRY LAKE



UNLESS DRAWN OTHERWISE, ALL PROPERTIES ARE WITHIN THE FOLLOWING DISTRICTS:
SCHOOL 402601 WATER
FIRE 172016 SENIOR
LIGHT AGRICULTURAL

THIS MAP WAS PREPARED FOR TAX PURPOSES ONLY
NOT TO BE USED FOR CONVEYANCE

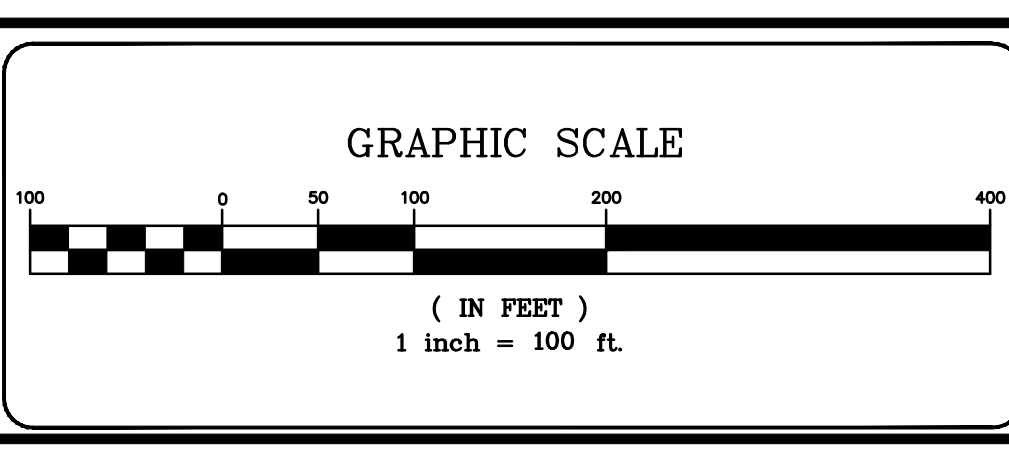
NOTICE OF DISCLAIMER
This map represents a compilation of graphical and textual information from deeds and surveys, a planimetric base map, and digital conversions of hand drawn mylar maps. Errors and omissions can occur from each of these sources; each source represents a large number of records and originators of information. As a practical matter, the County does not warrant the accuracy or completeness of the information portrayed. The end user of these maps agrees to accept the data "as is" with the full knowledge that errors and omissions may exist, and to hold harmless the County for any damages that may result from an inappropriate use of these maps.

DRAWING LEGEND

International Boundary	— — — — —	Denotes Common Owner	Z
County Boundary	— — — — —	Railroad	— — — — —
Town Boundary	— — — — —	Water	— — — — —
Village Boundary	— — — — —	Block Limit Line	— — — — —
Property or R/W Line	— — — — —	Special District Line	— — — — —
		Subdivision Lot Line	— — — — —

Block No. 1
Parcel No. 27
Subdivision Lot No. (10)
Deed Dimension 112'
Scaled Dimension 27'
Deed Area (27.3)
Calculated Area 148.2A(c)

ST. LAWRENCE COUNTY
NEW YORK
REAL PROPERTY
COUNTY OFFICE BUILDING
CANTON, NEW YORK 13617
(315) 379-2272 OFFICE
(315) 229-3222 FAX



REVISIONS	DATE	BY
7		
6		
5		
4		
3		
2		
1		

KEY MAP

205.070	205.071	205.072
205.078	205.078	205.080
216.022	216.023	216.024

TOWN OF: **CLIFTON**
DISTRICT NO.: **402600**
Date of Conversion: 8/12/2008 MRP

SECTION NO.
205.079
PROPERTY MAP